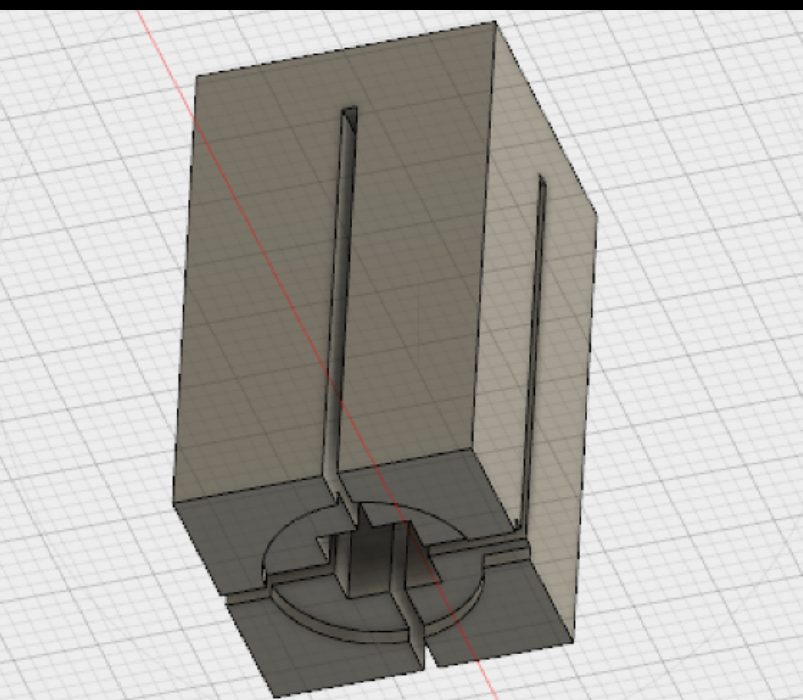


# *impressions*



## CONTACT INFORMATION

**JOCELYN PIETRO**

**JPIETRO@ELON.EDU**

**IMPRESSIONSJEWELRYCO.ETSY.COM**

**@IMPRESSIONSJEWELRYCO**

**<https://hackaday.io/project/19754-utilizing-3d-printing-to-make-jewelry>**

# Impressions Jewelry Co.



## Utilizing 3-D Printing to Make Hand Stamped Jewelry

**Vision** I had originally wanted the ever so popular "bar necklace" but refused to pay \$45 for it. I then began to create metal stamped products that were of the quality of a child. Soon I had an Elon MakerHub staff consult with me about the potential of utilizing 3-D printed jigs for proper alignment.

**Process** The process certainly began with trial and error with aligning the stamps on the jigs. A lot of the stamps are not perfectly centered themselves and therefore separate individual jigs were necessary to improve the quality of these products. Throughout the MakerHub Kickbox experience we have modified these jigs as necessary and have experimented with new future products.

**Results** Our final product can be seen on the reverse side and was achieved through utilizing a jig that individually holds each letter. We hope to continue our work in this process with trial and error and hope to bring the best product necessary to the market. 3-D printing jigs that help make this possible has been a really eye opening experience for someone who beforehand had no prior interaction with a 3-D printer.